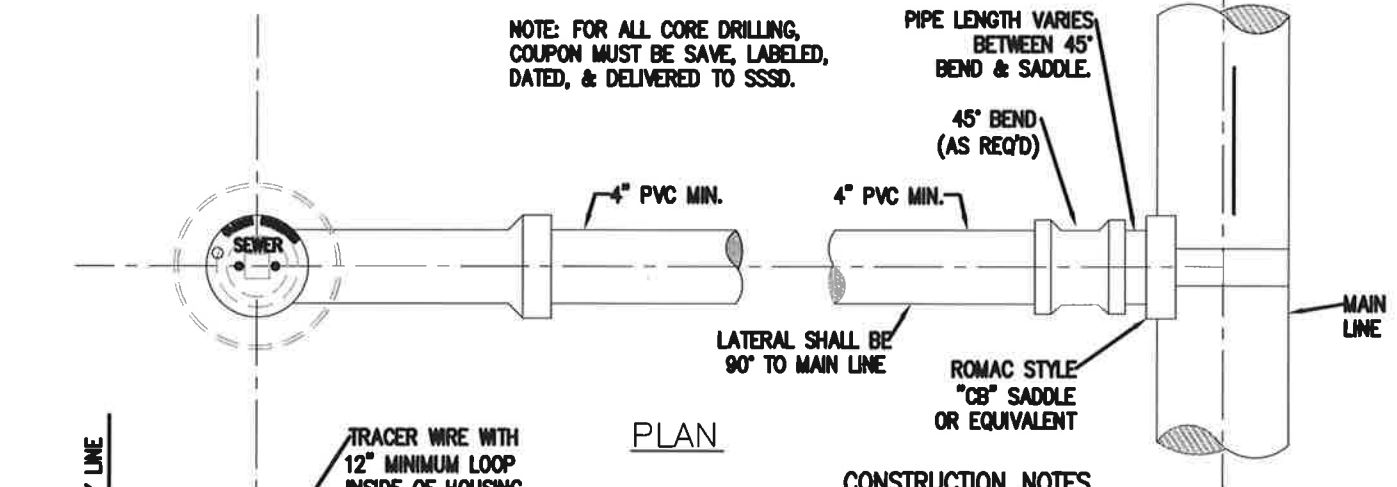


RESIDENTIAL RIGHT-OF-WAY  
LOT

NOTE: THE 45° BEND MAY BE ELIMINATED. HOWEVER, DRILLING MUST BE HORIZONTAL AT THE CENTER OF THE MAIN LINE OR ABOVE.

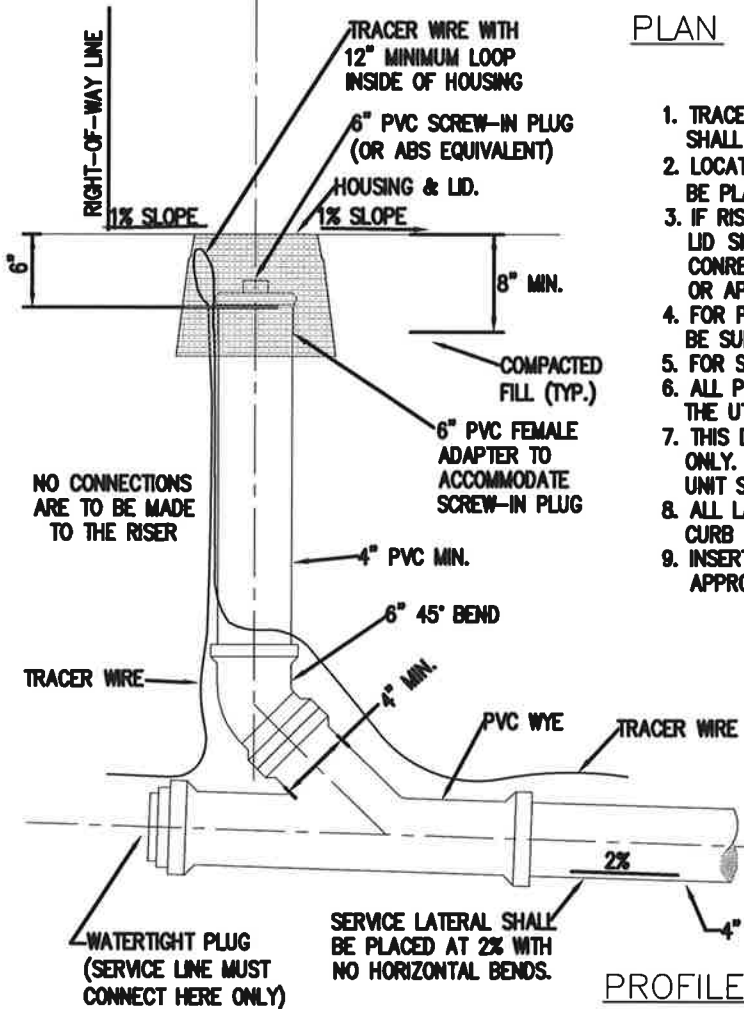
NOTE: FOR ALL CORE DRILLING, COUPON MUST BE SAVE, LABELED, DATED, & DELIVERED TO SSSD.



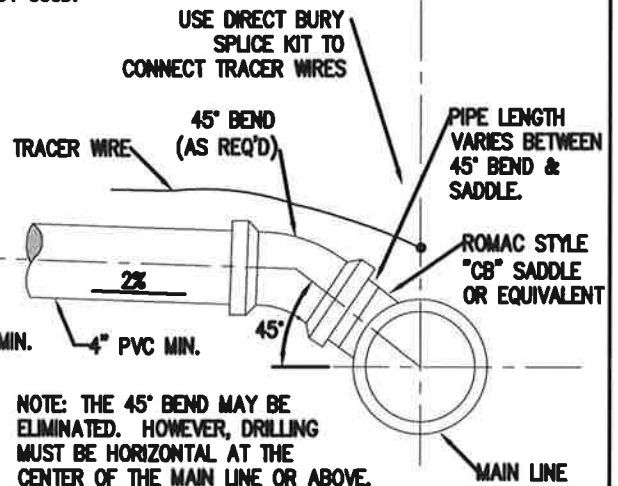
PLAN

CONSTRUCTION NOTES

1. TRACER WIRE SHALL BE DIRECT BURY 10 AWG COPPER & SPLICES SHALL BE MADE W/ DIRECT BURY SPLICE KITS.
2. LOCATION TAPE SHALL BE USED ON ALL NEW CONSTRUCTION. TAPE SHALL BE PLACED 1' BELOW GRADE DIRECTLY ABOVE THE SEWER LINE.
3. IF RISER IS IN GRAVEL, CONCRETE, OR PAVEMENT, HOUSING & LID SHALL BE CAST IRON OLYMPIC FOUNDRY INC. OR EQUAL OR CONCRETE. OTHERWISE, USE HDPE FROM CARSON INDUSTRIES OR APPROVED EQUAL.
4. FOR PRESSURE TESTING ONLY, THE PVC SCREW-IN PLUG MAY BE SUBSTITUTED FOR A MORE PRESSURE RESISTANT SEAL.
5. FOR SERVICE CONNECTION TO NEW MAIN SEE SSSD DWG SD-6.
6. ALL PIPE TO BE OWNED AND MAINTAINED BY SSSD FROM BOUNDARY OF THE UTILITY RIGHT-OF-WAY TO MAIN.
7. THIS DETAIL IS DESIGNED FOR SERVICE TO SINGLE FAMILY RESIDENTS ONLY. ANY LATERAL THAT SERVES MORE THAN A SINGLE FAMILY UNIT SHALL BE COORDINATED WITH SSSD.
8. ALL LATERALS SHALL BE STAMPED ON THE MIDDLE OF THE TOP OF CURB DIRECTLY ABOVE THE POINT IN WHICH THE LATERAL CROSSES.
9. INSERTA-TEE OR EQUAL MAY BE USED FOR 10" OR GREATER IF APPROVED BY SSSD.



PROFILE



NOTE: THE 45° BEND MAY BE ELIMINATED. HOWEVER, DRILLING MUST BE HORIZONTAL AT THE CENTER OF THE MAIN LINE OR ABOVE.

SCALE: N.T.S.

SOUTH SUBURBAN SANITARY DISTRICT

Drawn By: MDR  
Adkins Consulting Engineers, Inc.

Approved By: *SSSD*

SERVICE CONNECTION  
& CLEANOUT AT R.O.W.  
FOR EXISTING MAIN

Dwg.  
No.:

**SD-7**